

SPEEDYBAT

BATTERY
ELECTRO-PERMANENT
LIFTERS



ELECTRO-PERMANENT MAGNETIC LIFTING SYSTEMS



SAFETY
VERSATILITY
COMPACTNESS
USER-FRIENDLY
SELF-POWERED

SPEEDYBAT

BATTERY ELECTRO-PERMANENT MAGNETIC LIFTERS

Battery-powered electropermanent magnetic lifters for hoisting and handling ferrous loads of various shapes and sizes.

Thanks to the battery they are equipped with, they are able to perform more than 1,500 loading/unloading operations without battery recharge.

The battery energy is usually only used during the MAG/DEMAG cycles for about 1 second. A flashing signal indicates that the magnet is operating, while an acoustic alarm tells the operator that the battery needs to be charged.

Batteries can be charged by simply plugging the provided cable into a 220V / 50Hz socket for about 4 hours.

VERSATILE

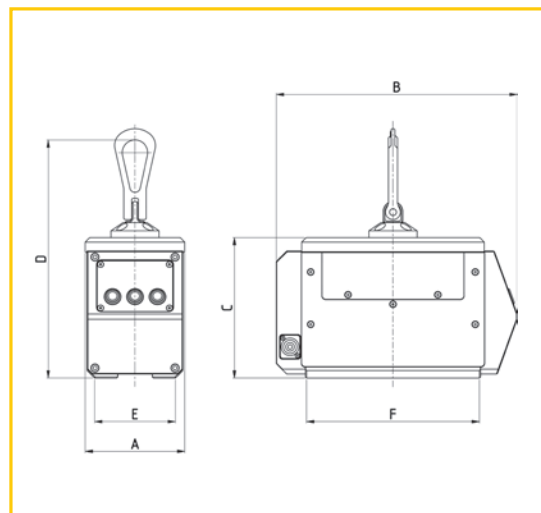
No electrical connection is required except during charging.

SAFE

Thanks to the force of the permanent magnets the load remains firmly clamped even in absence of power supply.

SAFETY HOOK- SYSTEM AGAINST ACCIDENTAL ANTI- DESACTIVATION

A magnetic sensor prevents the demagnetization command from being activated whenever the load is suspended. This operation can only be performed when the load is placed on a stable surface.



LOAD FEATURES

	Thickness min (mm)	Width max (mm)	Length max (mm)	Capacity (Kg)
SBHR.00500	15	1.500	2.500	500

DIMENSIONS

TYPE	Weight (kg)	A	B	C	D	E	F
SBHR.00500	31,5	133	322	188	318	108	234

EVERYTHING UNDER CONTROL

Electronic battery test system.
Replacement indicator.



REMOTE CONTROL

It is equipped with a remote control to activate the Mag and Demag of the lifting magnet at a safe distance or to operate in environments with limited accessibility.

TECHNICAL CHARACTERISTICS

Safety factor: **3:1**

Charging time: **4 hours**

Battery capacity: **28Ah@12V - 56Ah@24V**

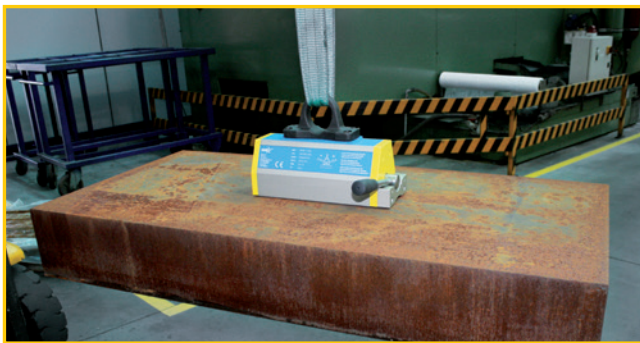
Battery voltage: **12 V - 24V d.c.**

UNBREAKABLE METAL PUSHBUTTONS

BATTERY CHARGER WITHIN THE SCOPE OF SUPPLY



MANUALLY OPERATED LIFTERS



Sturdy, handy and powerful neodymium magnetic lifters activated by lever.

Suitable for the handling of ferrous loads in various fields of application (loading and unloading on machine tools, oxycutting, warehouses, mechanical assembly, welding, etc.).

Suitable for the lifting of both flat and round loads.

SEP - LIFTERS



The well-structured SEP lifters, specially designed for the handling of slabs and forged blocks with an increased air-gap, are able to withstand high stresses and strains and are therefore extremely reliable over time.

By means of the radio control included in the standard supply one single user is able to carry out every operation (anchoring, lifting, handling, release) by keeping the necessary safety distance from the load.

LIFTERS FOR SHEETS



Lifting beams (with or without telescopic arms) able to handle sheets of different sizes, and of small (2mm) or greater thicknesses.

These lifters are operated by a radio control, by means of which also the telescopic arms are extended or retracted.

Possibility to select the center bars for the handling of short sheets or straps.

LIFTERS FOR COILS



Modules for the handling of compact coils of any size and weight.

Offers the advantage of not deforming or damaging the load, and of reducing the operating spaces, as the module is always positioned from above onto the coil. Suitable for coils with horizontal or vertical axis.



S.P.D. S.p.A.

Via Galileo Galilei, 2/4
24043 Caravaggio (BG) ITALY
Tel. +39 0363 546 511
Fax +39 0363 52578
info@spd.it - www.spd.it

